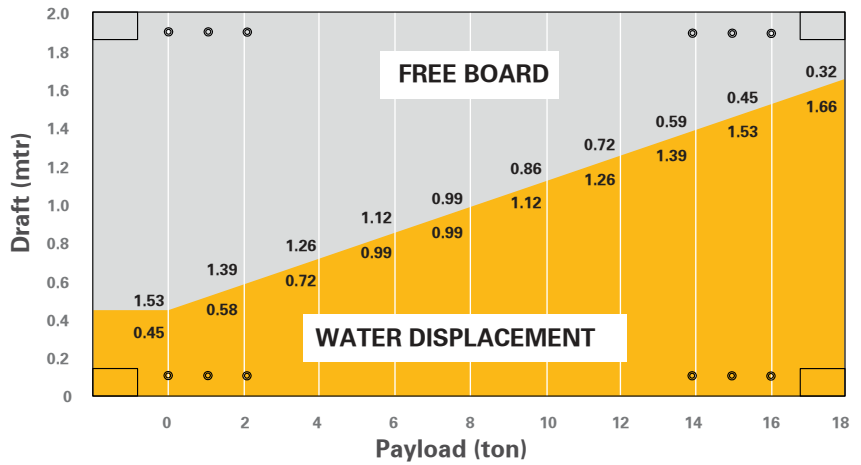


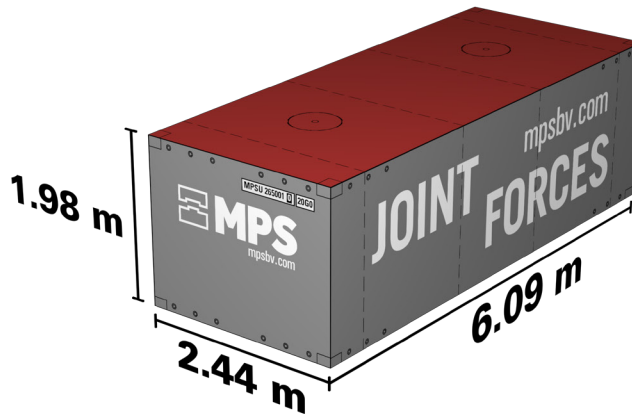
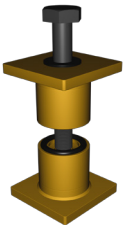
FACTSHEET - MPS - 265

Characteristics 20 ft x 6.5 ft container pontoon

Length O.A.	6.09 m (20ft)
Breadth O.A.	2.44 m (8ft)
Depth	1.98 m (6.5ft)
Weight	6.7 ton
Deck thickness	8 mm
Watertight bulkhead 1	
Compartments 2	
Manholes 2	
Deckload 6.0 t/m ²	
T (draught) empty 0.45 m	
T (draught) Max. 1.68 m	
Load cap at t Max. 18.3 ton	
Class society Bureau Veritas	
Class Notation Inland waters	
	Sheltered area
	Coastal area



TEKLOCK®



TRANSPORT OPTIONS



BY ROAD



BY SEA



BY RAIL

MPSU 265001 0 20G0

CSC APPROVAL
 CERTIFICATE

CSC SAFETY APPROVAL			
APPROVAL REFERENCE			
DATE MANUFACTURED			
IDENTIFICATION No.			
MAXIMUM OPERATING GROSS MASS	kg		lbs
ALLOWABLE STACKING LOAD FOR 1.8 g	kg		lbs
TRANSVERSE RACKING TEST FORCE	newtons		
END WALL STRENGTH	NIL		lbs
SIDE WALL STRENGTH	NIL		lbs
NEXT EXAMINATION DATE			